



CIRCOLO SURF TORBOLE



Federazione Italiana Vela



## NOTICE OF RACE

### ORGANIZING AUTHORITY AND LOCATION OF RACE

Associazione CIRCOLO SURF TORBOLE ASD  
Via della Lova 1 – 38069 Torbole sul Garda TN  
info: [info@circolosurftorbole.com](mailto:info@circolosurftorbole.com) +39 0464 505385  
Torbole sul Garda XIV Zona FIV

### RACE PROGRAM

<b>July 19</b>	09.00-16.00 registrations Boards distribution and Practice Day
<b>July 20</b>	09.00-11.30 registrations and boards distribution 12.00 skipper meeting 13.00 first possible start 20:00 Dinner at Circolo Surf Torbole
<b>July 21</b>	Race 20:00 Windsurfer Class Dinner (optional)
<b>July 22</b>	Race Prizegiving after the last race

### Course Racing:

there will be up to 7 races for every category. There will be no more than 4 races per day (no more than 3 back to back). At completion of the fourth race, 1 race can be discarded.

### Long distance:

There will be 1 Long Distance. All categories will compete with a single start. Course will be defined in the sailing instructions.

No starting signal will be given after 4 o'clock of the last day of racing. The racing committee can modify the program based on the weather situation or upon every other circumstance. Course Racing will be considered valid for a category when at least one race has been completed

## ADMISSION AND REGISTRATION

The event is for **Windsurfer LT** and **WS One Design** boards and competitors of any country, at least 12 y.o. at 19 July 2018, with:

- For Italian competitors FIV membership + Visita Medica Tipo B)
- For foreign competitors a **valid medical certificate for competitive activity**.
- a **third party liability insurance** (insurance coverage at least of € 1.500.000). The organizing club, if needed, will offer a third party liability insurance for the event at 10 €.
- **2018 Windsurfer Class Membership** (<http://windsurferclass.com/tesseramento/>)

Registration of a minor has to be signed by a parent or legal representative.

## ENTRY FEES

	Fees
Adults	80 €
"New Comers" sailing in their first Windsurfer Class race (since 2011)	60 €
Juniors (up to 18 y.o.)	60 €

### Windsurfer Class Membership for "New Comers" will be offered at Junior rate (20€)

Registration includes the dinner of Friday July 20th. Guests can buy tickets for the dinner at registration office at 25 €. Kids menu' (up to 14 y.o.) 15 €.

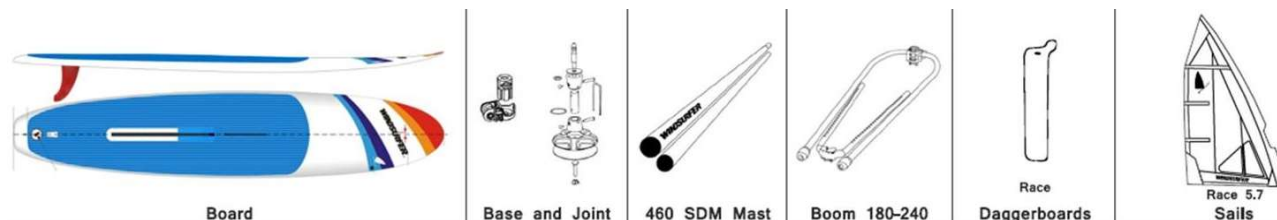
Dinner of Saturday is optional. Tickets will be available at registration office.

**Pre-registrations must be done within July 15 here: <https://bit.ly/2HI3TZ0>**

**Registrations on site without pre-registration will pay additional 10 €**

## CHARTER BOARDS

Rental and reservation requests must be done by email to [windsurfereurope@gmail.com](mailto:windsurfereurope@gmail.com)



Rentals:	Price (incl. VAT)
- New WINDSURFER LT complete	200 €
- New WINDSURFER LT board only	100 €
Purchase:	Price (incl. VAT)
- Used championships boards (available after the race)	1.370 €

A 150€ deposit will be requested and returned upon boards return with no damages.  
Total loss of board or accessories will be charged at list price ( <https://bit.ly/2HFMsbl> )

**NB: Available boards are limited and will be assigned and confirmed upon date of receipt.**

## RACING RULES

The racing rules of sailing ISAF (RRS 2017-2020) will be applicable from Appendix B with reference to competition rules for sailboards and those approved by the Windsurfer Class ([www.windsurferclass.com](http://www.windsurferclass.com)). Further verbal rules can be added. In case of conflict between the Notice of Race and the Racing Instructions the latter ones will prevail.

## RACING INSTRUCTIONS (RI)

The racing instructions will be provided at the moment of final registration.

## CHANGE OF BOAT AND SAIL NUMBER

The change of board/rig during the championship is admitted but it is not possible to switch between Windsurfer Lt and One Design and viceversa. In case of a change of sail number, immediate communication to the Race Committee must be made. In case of sail number not exposed during a race, or a different number is exposed without prior communication, the participant will be disqualified for that race



CIRCOLO SURF TORBOLE



## MEASUREMENTS

Boards may be inspected for compliance by the race committee. All materials must be supplied or approved by IWCA.

## WEIGHT CATEGORIES

- Category A: lightweight (may include juniores)
- Category B: medium weight (may include juniores)
- Category C: medium heavy weight
- Category D: heavy weight
- Category F: Women (may include juniores)

If there will be 5 or more juniores registered, a Juniores Category (J) will be added. In this case Junior will compete for both their weight category (A, B or F) and for Junior category. Junior competitors must be younger than 19 years of age on July 19 2018.

## FLEET DIVISION

Course Racing Fleet will be divided in two: yellow fleet (A, B, F) and blue fleet (C, D)  
Long Distance will be held with a single fleet and start

## FLOATING SYSTEM

Male competitors will be divided into the 4 categories of weight of equal numbers, including juniores. After the weighting procedure, in case the total number can not be divided by four, the first category with one competitor more will be determined upon a drawing. In case two competitors have the same weight, the younger competitor will be considered the lighter. If a late registrations is admitted the floating system will not change if at least one race has taken place. Before the start of the first race, a second weighting procedure can be called for the athletes close to the limits of the categories, in order to recheck the correct registered weight. Juniores assigned to C or D category may ask the racing committee to be included in the yellow fleet to allow competing for the junior category and the B category. An equal number of competitors per category will be maintained.

## WIND LIMITS

Beginning of a starting procedure require a wind speed of at least 4 knots



CIRCOLO SURF TORBOLE



## SCORING:

Based upon arrival, points will be assigned according to the system of minimum points. Category results will be obtained by the sum of points obtained (excluding discards) based on finishing position on fleet races, NOT excluding competitors of other categories. Category scoring will also be used for national ranking systems.

Overall score will combine course racing category final score + long distance absolute score. In case of parity long distance score will prevail.

## PRIZES

Course Racing: prizes for 1st, 2nd and 3rd ranked competitors (category: A, B, C, D, J, F)

Long Distance: prizes for 1st, 2nd and 3rd ranked competitors (category: male, female and jr)

Overall: prizes for 1st, 2nd and 3rd ranked competitors (category: male, female and jr).

There will be prizes for "Best Newcomer" of each category (never competed or not competing in Windsurfer Class regattas since 2011)

## LOGISTICS

During the event, boards will stay in a designated area, assigned by the club organisation.

## FUNDAMENTAL RULE 4 - RESPONSIBILITY

Only the competitors are responsible for the decision to participate or to continue a race. The organisation, the race committee and the jury decline all responsibility from damage to persons or material caused ashore or at sea, as a consequence of the participation to the regatta. It is the ability of the competitors to decide to go out at sea, to continue a race or to abandon, based on their capacity, the force of the wind, the sea conditions, the weather forecast and everything else that has to be considered by a good sailor.




## ADVERTISING

Boats may be obliged by the organisation committee to display advertising of sponsors on the sails. Advertising is free according to ISAF regulation 20.

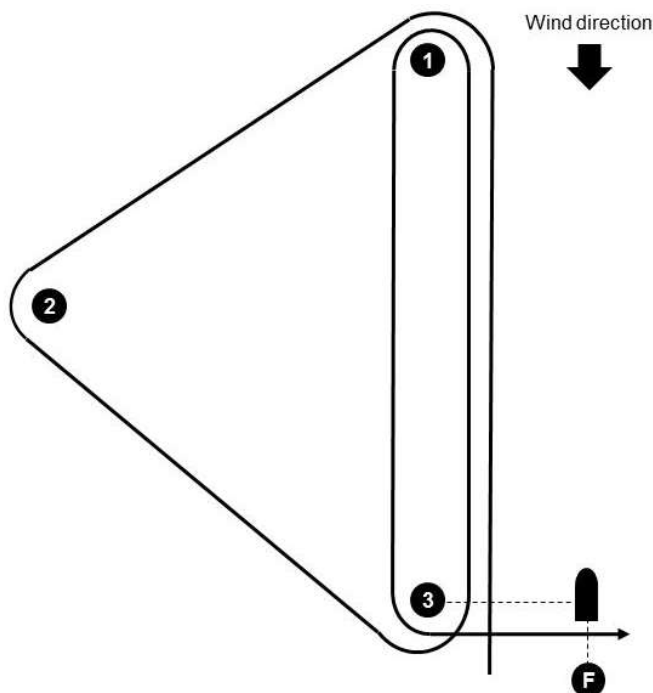
## PHOTOGRAPHS AND/OR TELEVISION RIGHTS

Competitors give full rights and permission to the organisation committee for use and broadcasting of photographs or videos of persons or boats during the event included but not limited to spots on television and all that can be used for editorial purpose, promotion or printed information.

## Starting Procedure

<b>Class Flag</b>	<b>Up</b>	
 	↑	-5 min
<b>Preparatory</b>	<b>Up</b>	
	↑	-4 min
<b>Preparatory</b>	<b>Down</b>	
	↓	-1 min
<b>Class Flag</b>	<b>Down</b>	<b>Start</b>
	↓	

## Course



## LOGISTICS - USEFUL INFORMATION – TRANSPORTS – ACCOMODATIONS:

Club website: <http://www.circolosurftorbole.com>



## Recommended Accomodations:

<http://www.circolosurftorbole.com/it/circolo/ricettivita/>